

Crystal Tourniket



The transparent revolving door

The Crystal Tourniket uses a combination of laminated and toughened glass to reduce the traditionally framed elements of the door to a bare minimum. The result is a virtually completely transparent revolving door. This stylish entrance solution is perfect for use with contemporary glass facades but still blends in beautifully with more classical architectural styles.

Style and function

The Crystal Tourniket is available with three or four door wings and in a wide range of sizes. With the choice of manual or automatic operation and optional night locking doors, the Crystal Tourniket is a truly versatile entrance. The choice between clear and coloured glass ensures that the Crystal Tourniket is not only highly functional but also the most stylish entrance solution available.

The Crystal Tourniket's versatility and style make it the perfect choice for medium traffic flow applications such as hotels, offices and many other types of buildings.

Elegant design

With only slim aluminium frames and using as much glass as possible, the elegant design of the Crystal Tourniket offers maximum transparency.

Finish

The glass of the Crystal Tourniket can either be clear or coloured while the stainless steel cappings and clamps used for maximum strength, offer an attractive finish.

Construction

The curved walls that form the drum of the Crystal Tourniket are completely frameless, constructed of 17 mm laminated glass with only small cappings where required for safety. The door set, which is available in three and four wing versions, is constructed from 12 mm toughened glass with only the smallest possible profiles to retain the weather strip. The two piece glass soffit is fixed directly to the curved walls with specially designed clamps.

Options

- Push button temporary low speed
- Power assist, positioning speed control (PPS) for manual doors
- Night locking doors
- A variety of manual and automated night locking options
- Stainless steel soffit
- Coloured interlayer to glass soffit, curved walls and night locking doors.
- Roof trim
- Floor mats

'Maximum transparency'



Climate control

Despite the transparent appearance of the Crystal Tourniket, it offers all the same energy efficiency benefits as any other Boon Edam revolving door.

Cost Savings and comfort

As any revolving door, the Crystal Tourniket forms a permanently closed barrier between the inside and outside of your building. This allows you to create a comfortable environment, even close to the entrance, without the need for a separate draught lobby, enabling maximum use of floor space. As no energy for heating or cooling is lost to the outside, a Crystal Tourniket is very environmentally friendly. Moreover by saving energy, you will also save money which means that a Crystal Tourniket will often pay for itself many times over during its life span.

Safety features

At Boon Edam we put safety first. We know that user safety and emergency exit requirements are important when designing your entrance. That is why our products are created with these demands in mind. All Boon Edam products are designed to comply with or exceed safety standards and regulations.

User safety

The Crystal Tourniket may have a minimalist look, but we have equipped it with an array of standard and optional safety features to ensure safe and practical operation in all circumstances.

- Compressible safety buffers on the end of the curved walls (SRB)
- Compressible safety buffers on the leading edge of each door wing (SRT, optional)
- Presence sensors in front of each curved wall end (EBS)
- Low torque drive unit with speed control
- Emergency stop buttons

Emergency escape

The Crystal Tourniket can optionally be equipped with a collapsible door set, offering an escape route in case of emergency*.

* Escape route requirements are subject to local regulations



Standard dimensions and theoretical capacity

The Crystal Tourniket is available in a wide range of sizes with three wing doors offering larger segments, while four wing models provide wider throat openings and slightly smaller segments.

<i>D</i> Diameter (mm)	<i>C</i> Throat Opening (mm)	<i>E</i> Installation width (mm)	Max Persons/ Segment	Capacity/ minute ¹	Type of Traffic	Escape route ²	Disabled Access
3-wing Crystal Tourniket							
1600	649	1650	1	2 x 22		-	-
1800	749	1850	1	2 x 22		-	-
2000	849	2050	1	2 x 22		-	-
2200	949	2250	1	2 x 20			-
2400	1049	2450	1	2 x 18			-
2600	1149	2650	2	2 x 33			-
2800	1249	2850	2	2 x 31			-
3000	1349	3050	2	2 x 29			-

¹ Maximum capacity per minute indicates how many people can pass through a Crystal Tourniket in both directions under normal conditions.

² Only with collapsible door set option. Escape route requirements are subject to local regulations.

Diameter	<i>A</i> Glass soffit (mm)	<i>B</i> Height under canopy (mm)
All diameters	18	2100 - 3000



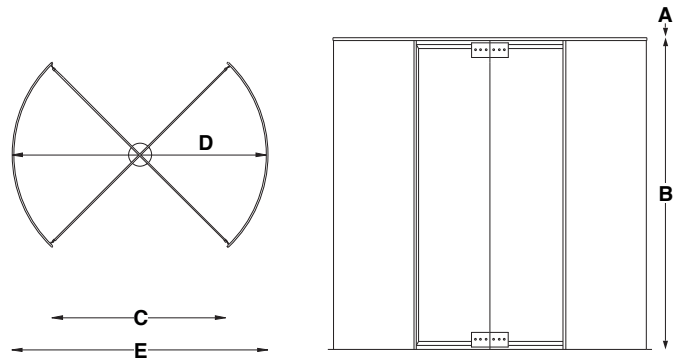
Standard dimensions and theoretical capacity

D Diameter (mm)	C Throat Opening (mm)	E Installation width (mm)	Max. Persons/ Segment	Capacity/ minute ¹	Type of Traffic	Escape route ²	Disabled Access
4-wing Tourniket							
1600	1068	1650	1	2 x 26		-	-
1800	1210	1850	1	2 x 26		-	-
2000	1351	2050	1	2 x 26		-	-
2200	1493	2250	1	2 x 26			-
2400	1634	2450	1	2 x 24			-
2600	1776	2650	1	2 x 22			-
2800	1917	2850	1	2 x 20			-
3000	2059	3050	2	2 x 38			-

¹ Maximum capacity per minute indicates how many people can pass through the Crystal Tourniket in both directions under normal conditions.

² Only with collapsible door set option. Escape route requirements are subject to local regulations.

Diameter	A Glass soffit (mm)	B Height under canopy (mm)
All Diameters	18	2100 - 3000



Technical Specifications

Power supply	200-240 VAC, 50/60 Hz
Motor	AC motor, 3-phase
Power consumption	
Operating	150 W
Stationary	75 W
Ambient temperature	-20°C to +50°C
Fuse	External power supply fused with 16 A Slow

High Quality

At Boon Edam, we take quality seriously. Quality of the materials we use, quality of our employees as well as our partners. As with all Boon Edam products, the Crystal Tourniket is manufactured to the highest standards, is CE approved and complies with international regulations and guidelines, including but not limited to: the Machine Directive (2006/42/EC), the EMC-directive (2004/108/EC), the Low Voltage directive (2006/95/EC) and European Glass standard EN356.

Distributor